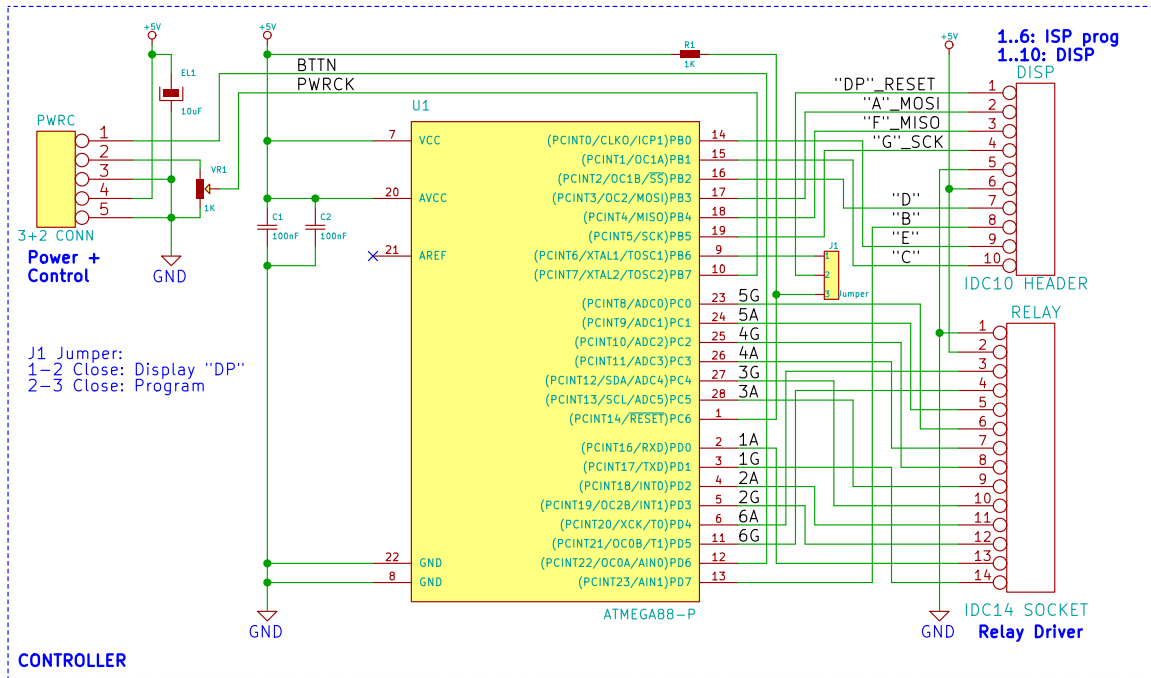


File: AudioSelector1.sch		
Sheet: /		
Title:		
Size: A4	Date: 4 jan 2014	Rev:
KiCad E.D.A.		Id: 1/1



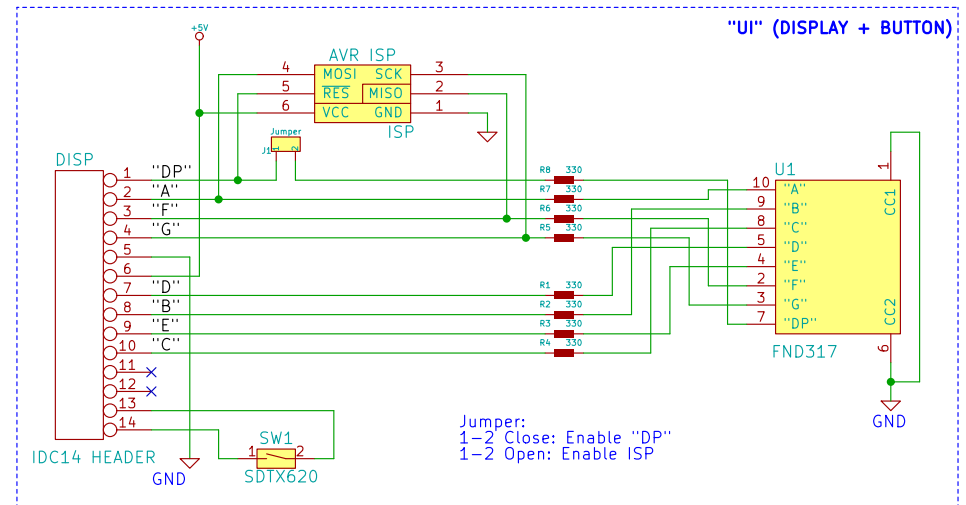
Display Cable:

"CONTROLLER" DISP connector pin 1..10 connected to
"UI" DISP connector pin 1..10

"CONTROLLER" PWRC connector pin 1 and 3 connected to
"UI" DISP connector pin 13 and 14

Power Cable:

"CONTROLLER" PWRC connector pin 2 connected to
"StandBy" (Low) / "Active" (High) line
pin 4 connected to +5V
pin 5 connected to GND



File: AudioSelector2.sch		Rev:	
Sheet: /		Id: 1/1	
Title: noname.sch			
Size: A4	Date: 3 jan 2014		
KiCad E.D.A.			